

STOOLS

Dimensions

All dimensions are in inches and millimeters. Add 1/2" (13mm) to seat height for upholstery pads. Dimensioned drawings below can be downloaded at www.chernerchair.com

Specifications

Seat: One piece molded plywood. Beech core laminations, w/ face veneers in beech, walnut, red gum or white oak.

Wood Base: Two peice laminated beech, w/ face veneers in beech, walnut, red gum or white oak.

Metal Base: 5/8" (14mm) steel tube w/ bright chrome finish

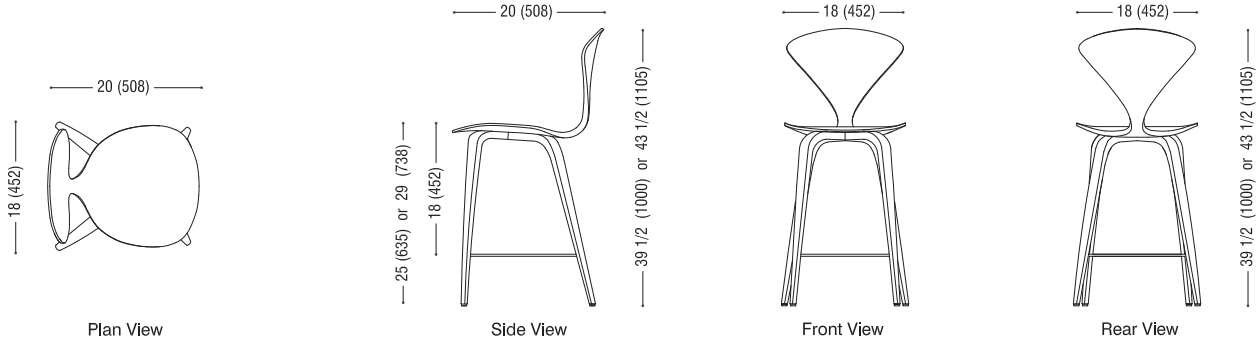
Cherner

The Cherner Chair Company

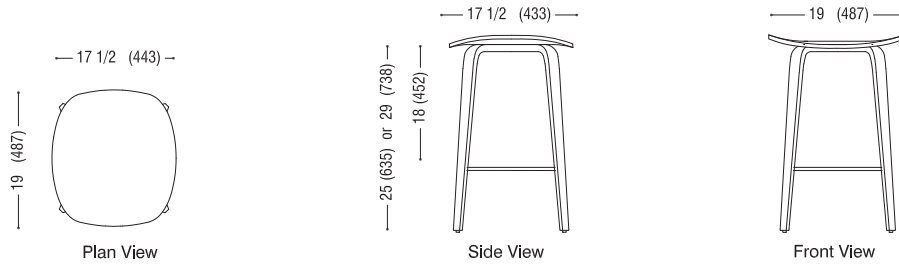
PO Box 509
Ridgefield. CT 06877
www.ChernerChair.com

1.866.243.7637

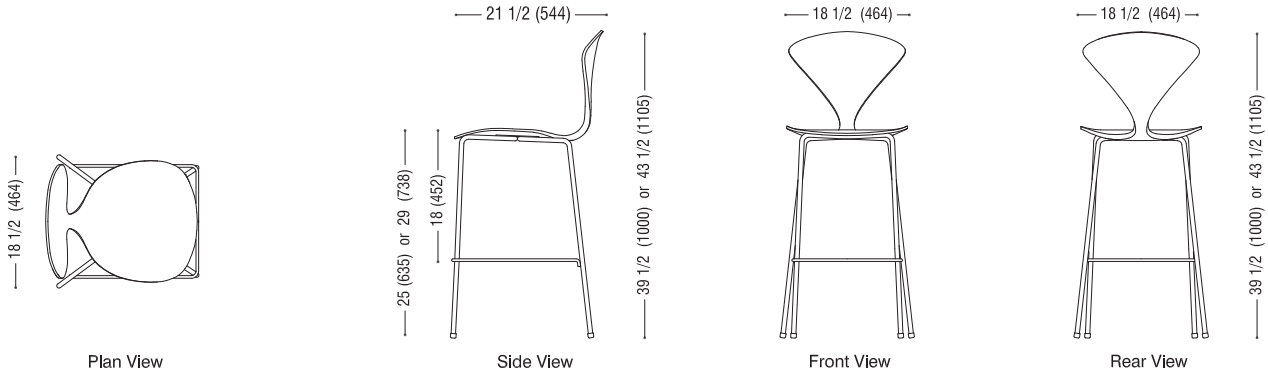
CHERNER STOOL/ COUNTER AND BAR HEIGHT Wood Base



CHERNER UNDERCOUNTER STOOL/ COUNTER AND BAR HEIGHT Wood Base



CHERNER STOOL/ COUNTER AND BAR HEIGHT Metal Base



CHERNER STOOL/ COUNTER AND BAR HEIGHT Metal Base with Arm

